

SCOTSMAN

MODULAR ICE STORAGE BINS

BH360

VOLUME STORAGE – AMPLE ICE RESERVE

- BH360 holds 275 lbs. per ARI Standard 820-95
- Ideal for CME 306 & CME456 22" cubers

QUALITY CONSTRUCTION

- NSF Approved construction.
- Attractive stainless steel finish.
- Polyethylene Liner.

WARRANTY PROTECTION *See Dealer for complete warranty details.*

- 3 years parts and labor on all components.

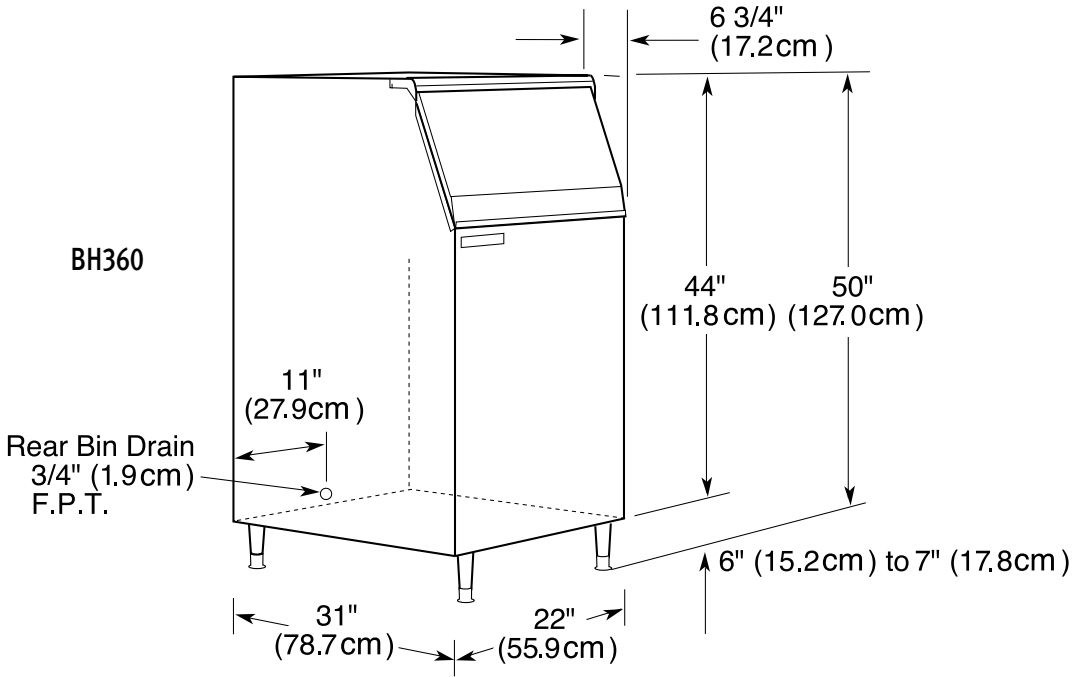


BH360

CERTIFIED
ISO
9001:2000




Bin Specifications



Bin include 6" black enamel legs with adjustable steel flanged feet.

NOTE: Allow 6" minimum space at back for ice machine ventilation and utility connections.

SCOTSMAN MODULAR BIN		Certified & rated in accordance with ARI standard 820-95			
Model Number	Dimensions* W"xD"xH"	ARI Bin Capacity lbs./kg.	Application Capacity lbs./kg.	Finish*	Ship Weight lbs./kg.
BH360S	22 x 31 x 44	275/125	374/166	SS	135/61

* NOTE: Add 6" height for legs.
 *(SS) Stainless steel cabinet with Polyethylene liner.
 ARI storage capacity for bins is based on 80% of total volume in cubic feet x 30 lb./ft.3 average density of ice.
 Application capacity for bins is based on 90% of total volume in cubic feet x 34 lb./ft.3 average density of ice.

Scotsman's ice machines and bins are not designed for outdoor installations. Scotsman remote condensers are designed for outdoor installations.

Machine requires voltage indicated on rating name plate. Failures caused by improper voltage are not considered factory defects. Extended periods of operation at temperatures exceeding limitations constitutes misuse under the terms of Scotsman Manufacturer's Limited Warranty, resulting in a loss of warranty coverage. Specifications and design are subject to change without notice.

Consult Your Local SCOTSMAN Representative At:

YOU'LL VALUE THE DIFFERENCE™

775 Corporate Woods Parkway • Vernon Hills, IL 60061 • 1-800-SCOTSMAN • Fax: (847) 913-9844
 Visit our website at: www.scotsman-ice.com • E-mail: customer.service@scotsman-ice.com